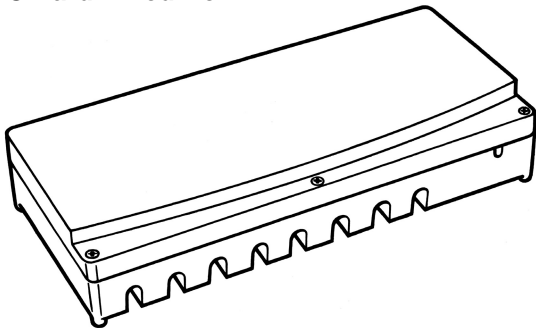


FH-WC Hardwired Underfloor Heating Connection Box

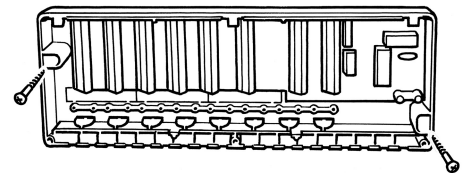
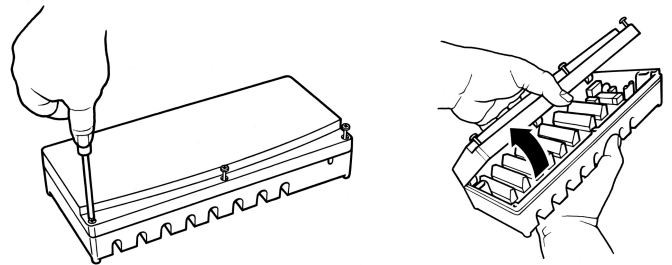
Installation Instructions

Specification	FH-WC
Code number	088H012800
Hard-wired control box for underfloor heating	●
Number of zone outputs for thermal actuators	8
Maximum number of actuator per zone	2
Zone outputs - voltage	230 Vac, 50 Hz
Zone outputs (2) - max rating	3W
Night set-back channels (1)	2
Voltage free relay output for interlocks	2 x SPST
Voltage rating of interlock relay	230 Vac, 50 Hz
Current rating of interlock relay	2 Amps, inductive
Power supply	230 Vac, 50 Hz
Max ambient temperature	50°C
Dimensions, mm	314w x 110h x 61d
(1) Night set-back requires separate time control	
(2) Maximum 2 actuators per zone	

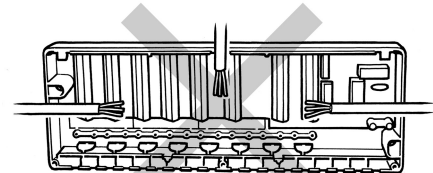
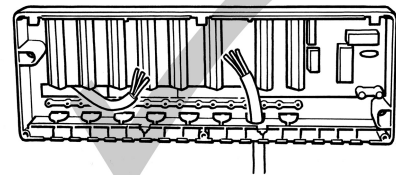
FH-WC Hard Wired Box



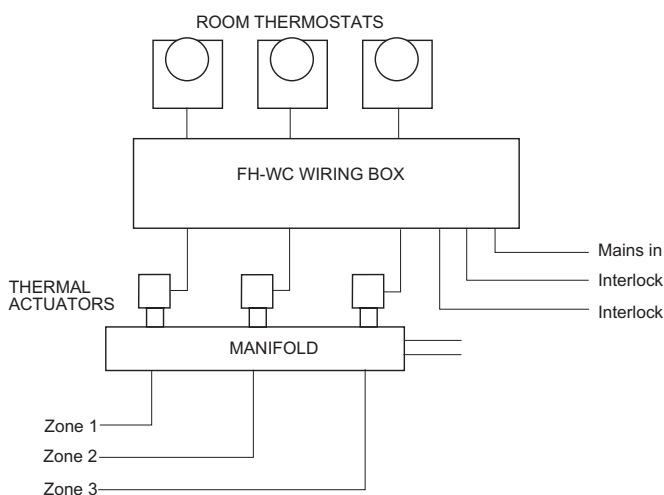
Mounting



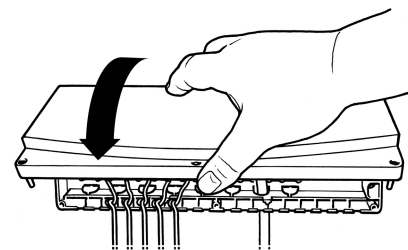
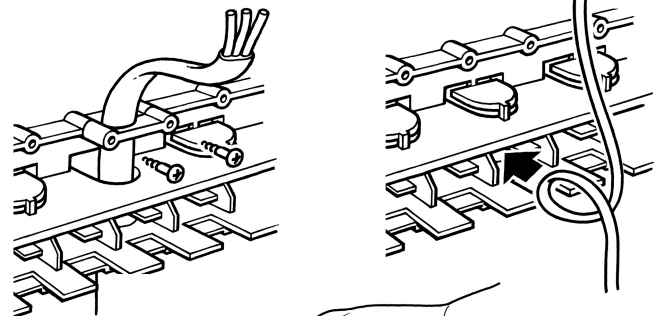
Cable Access: Thermostats, Interlock and Mains



System Schematic

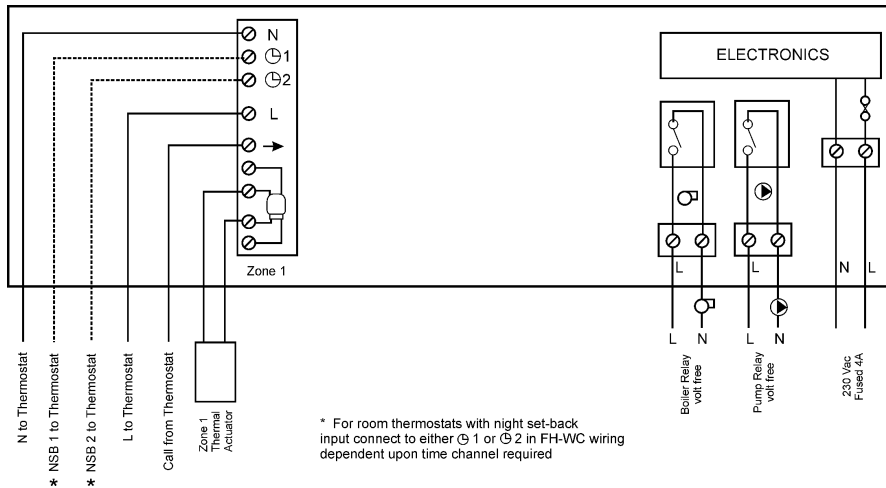


Cable Access: Thermal Actuators

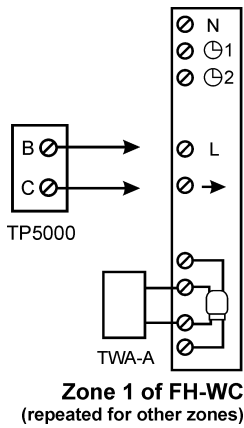


Wiring Connections

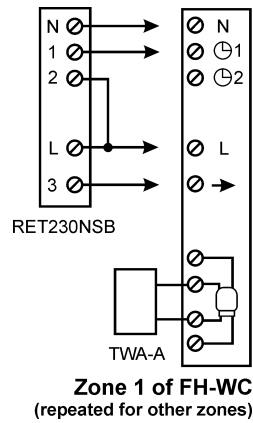
System 1: basic system without time control



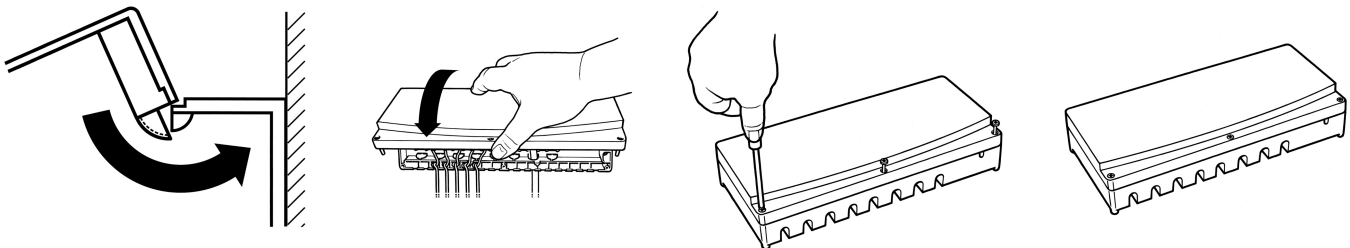
System 2: system with programmable room thermostats



System 3: system with 2 channel centralised night set-back



Replacing Wiring Box Cover



Danfoss Randall can accept no responsibility for possible errors in catalogues, brochures and other printed material. Danfoss Randall reserves the right to alter its products without notice. This also applies to products already on order provided that such alterations can be made without subsequent changes being necessary in specifications already agreed.

Danfoss Randall Limited,

Amphill Road,
Bedford, MK42 9ER
Telephone: (01234) 364621 Fax: (01234) 219705
Email: danfossrandall@danfoss.com
Website: www.danfoss-randall.co.uk

